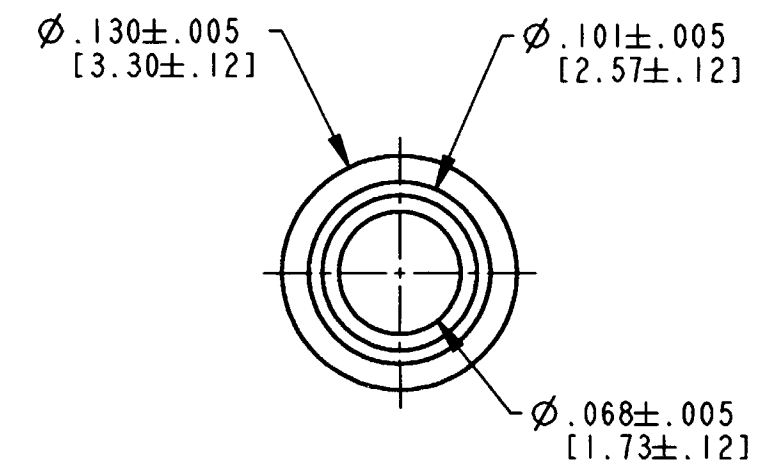
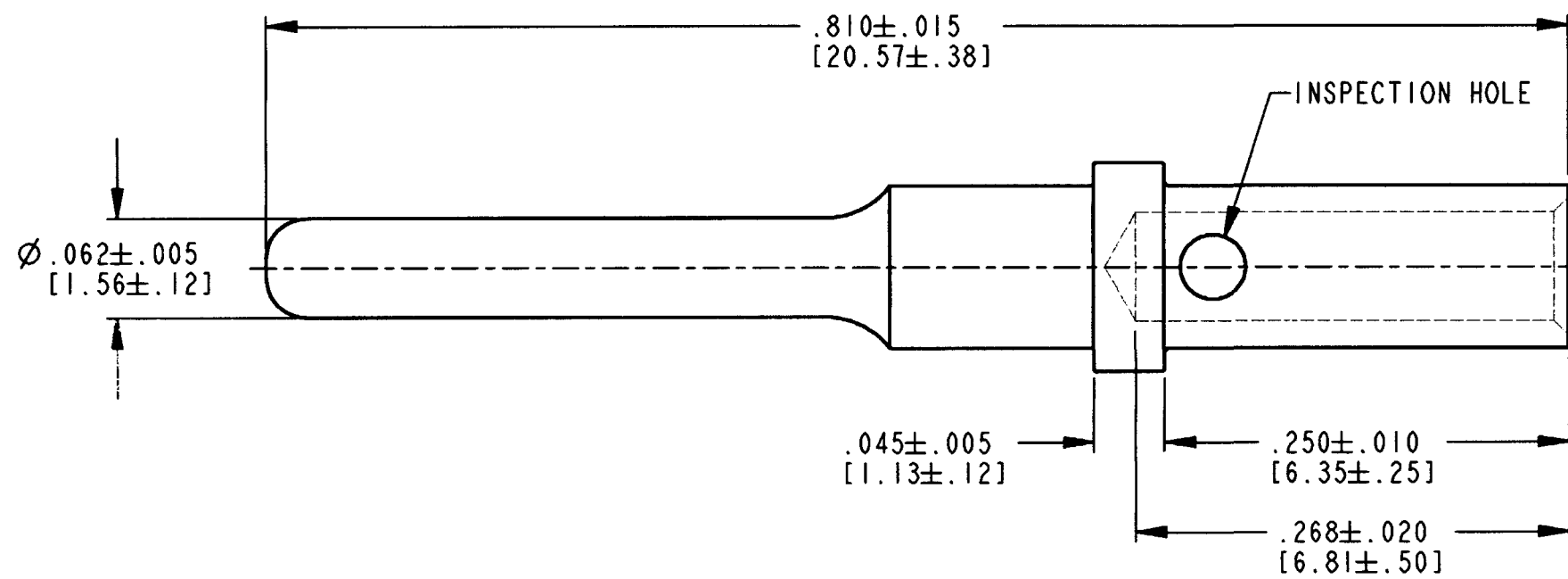


REV
B 0460-202-16 **

REVISIONS			
SYM	DESCRIPTION	DATE	APPROVED
NC	NEW RELEASE PER E.O. A8005	8/11/88	JA
A	REVISED PER E.O. P15174	12/3/96	RDR
B	REVISED PER E.O. P15996	5-25-99	RDR



4. FOR CONTACT PERFORMANCE AND APPLICATION CHARACTERISTICS SEE DRAWING 0425-015-0000.
3. WHEN ** = 31: PLATING IS GOLD OVER NICKEL.
WHEN ** = 141: PLATING IS NICKEL.
2. DIMENSIONS ARE IN INCHES [mm].
1. FOR CRIMPING INFORMATION SEE DRAWING 0425-205-0000.

NOTES:

SIGNATURE & DATE	
DR	D. MEYER 12/18/97
CHK	<i>Helmut Jansen</i> MAY-25-99
PE	<i>D. Meyer</i> STEPS
APPD	<i>R. Reed</i> 5-25-99
SCALE	15:1 WT

CONTACT PIN
SIZE 16

ENVELOPE

CP	MATL CODE
The Deutch Company DEUTSCH I.P.D. 3850 INDUSTRIAL AVE. HEMET, CALIF. 92545	
B 0460-202-16 **	
DWG SIZE	CODE 11139 SHEET OF