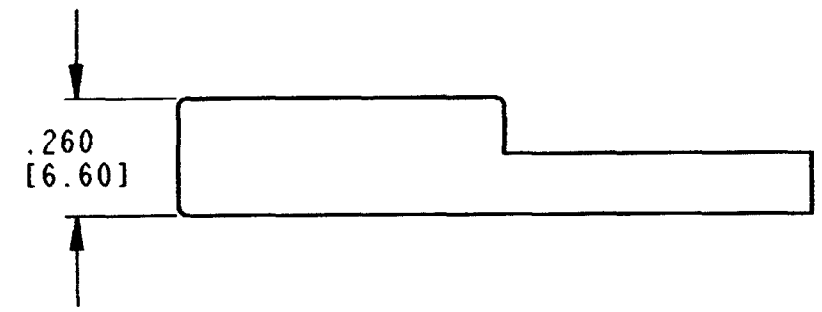
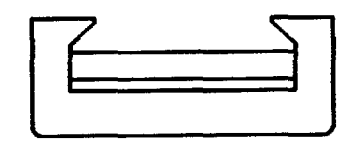
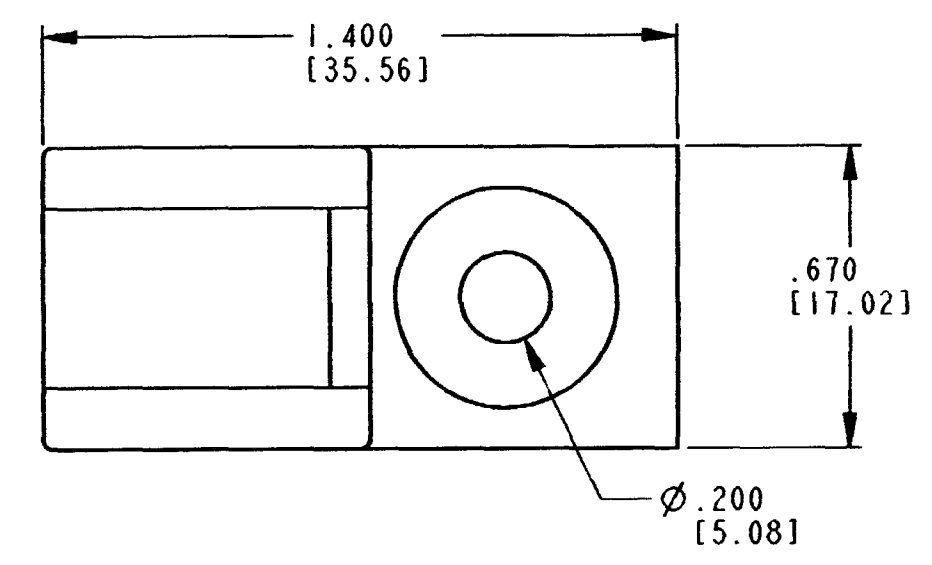
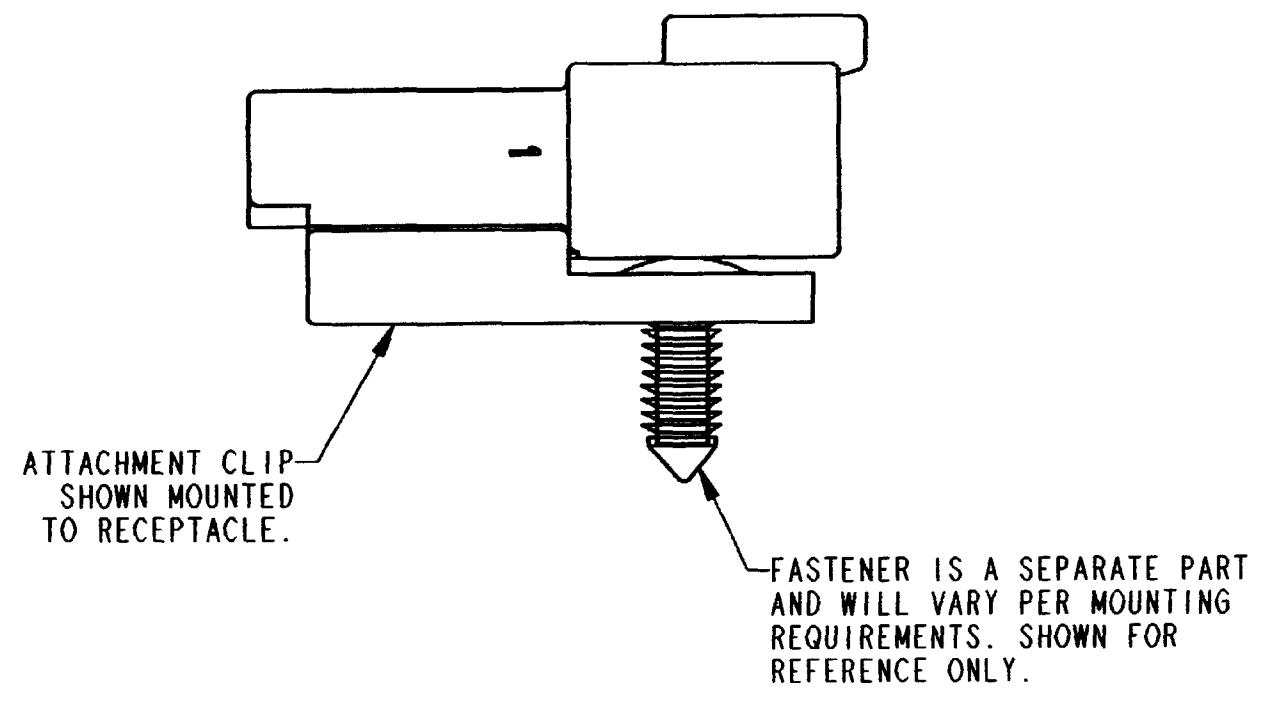


REV
A 1011-026-0205

| REVISIONS | | | |
|-----------|-----------------------------|---------|----------|
| SYM | DESCRIPTION | DATE | APPROVED |
| NC | NEW RELEASE PER E.O. A13754 | 1/10/92 | |
| A | REVISED PER E.O. P19489 | 3-16-07 | RDR |
| | | | |



- NOTES:
1. ALL DIMENSIONS ARE IN INCHES [MILLIMETERS].
 2. ALL DIMENSIONS ARE ± .025 [.64] UNLESS OTHERWISE SPECIFIED.
 3. MATERIAL: PLASTIC; COLOR: GRAY.

| SIGNATURE & DATE | |
|------------------|---------------------------|
| DR | A. MALAGON 27 FEB 07 |
| CHK | R. B. [Signature] 3/16/07 |
| PE | R. [Signature] 2/28/07 |
| APPD | S. [Signature] 2/28/07 |
| SCALE | NONE |
| WT | |

ATTACHMENT CLIP
COLOR: GRAY
FOR
DT RECEPTACLE
SIZES 2,3,4,6,12

ENVELOPE

| MATERIAL CODE | |
|--|----------------------|
| EP | |
| The Deutch Company DEUTSCH I.P.D. 3850 INDUSTRIAL AVE. HEMET, CALIF. 92545 | |
| B | 1011-026-0205 |
| DWG SIZE | SHEET OF |