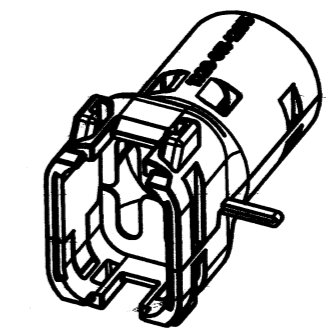
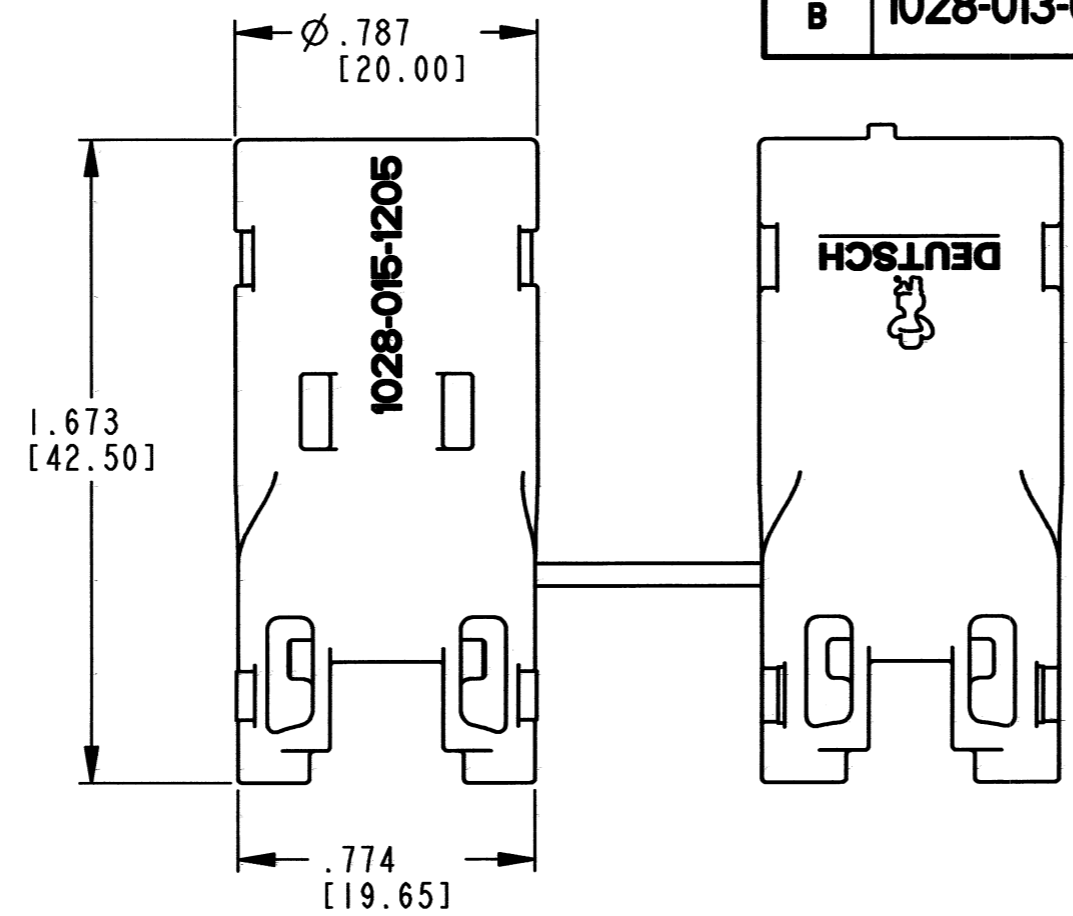
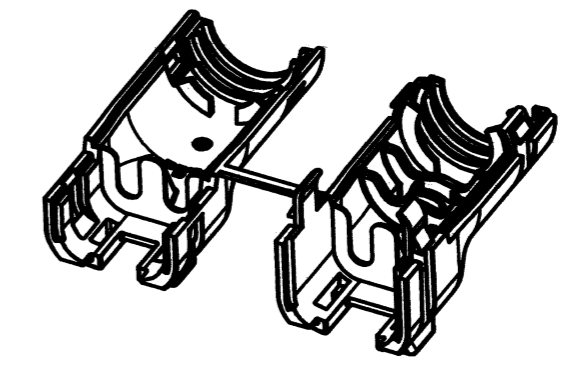
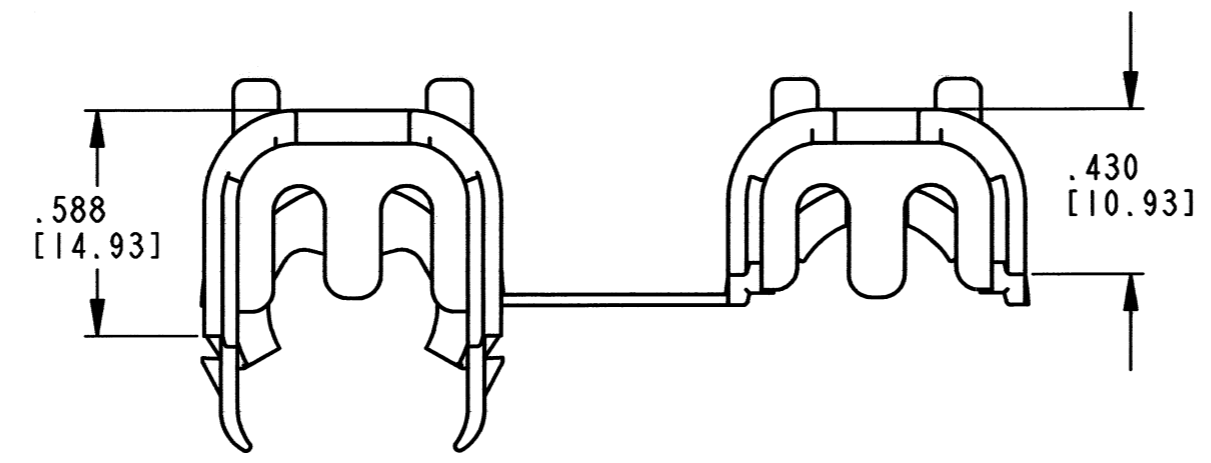
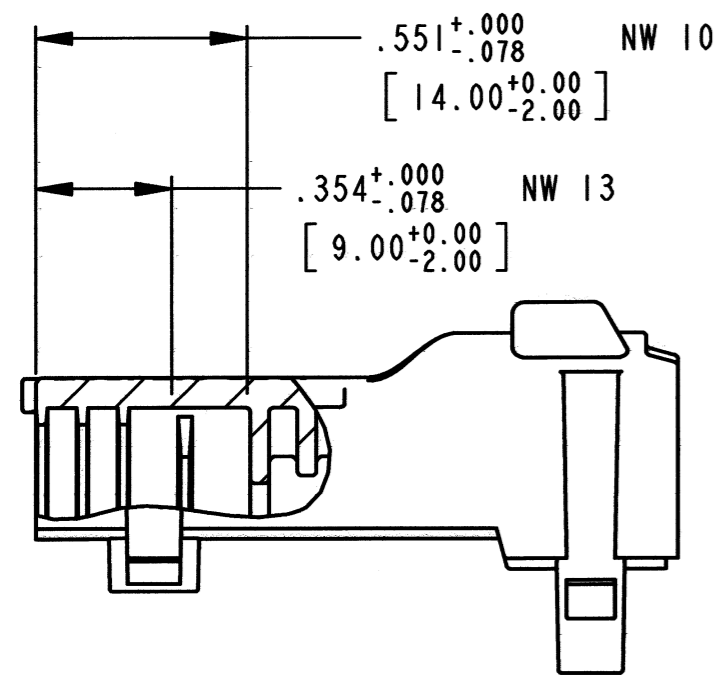


REV  
B 1028-013-0805

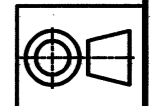
REVISIONS			
SYM	DESCRIPTION	DATE	APPROVED
B	REVISED/REDRAWN PER E.O. P21076	4-6-12	<i>AR</i>



**3D VIEW**  
CLOSED



**3D VIEW**  
OPEN




- NOTES:
1. ALL DIMENSIONS ARE IN INCHES [MILLIMETERS] AND ARE  $\pm .025$  [.64] UNLESS OTHERWISE SPECIFIED.
  2. THIS PART MATES WITH DTM06-08S\*-\*\*\*\* PLUG WITH ANY MODIFICATION THAT DOES NOT INCLUDE AN END CAP. (\* = KEY ARR. A,B,C,D; \*\*\*\* = MODIFICATION)
  3. MATERIAL: PLASTIC; COLOR: BLACK

SIGNATURE & DATE	
DR	A. MALAGON 15AUG11
CHK	<i>D. Sanford</i> 4/6/2012
PE	<i>R. Mulligan</i> 2-6-12
APPD	<i>S. Beard</i> 4-5-12
SCALE	NONE
WT	

BACKSHELL  
SWIVEL ADAPTER  
8 PIN PLUG  
DTM SERIES

ENVELOPE

EP	MATL. CODE
 3850 INDUSTRIAL AVE. HEMET, CA 92545	
<b>B</b>	<b>1028-013-0805</b>
DWG SIZE	CODE 11139 SHEET   OF