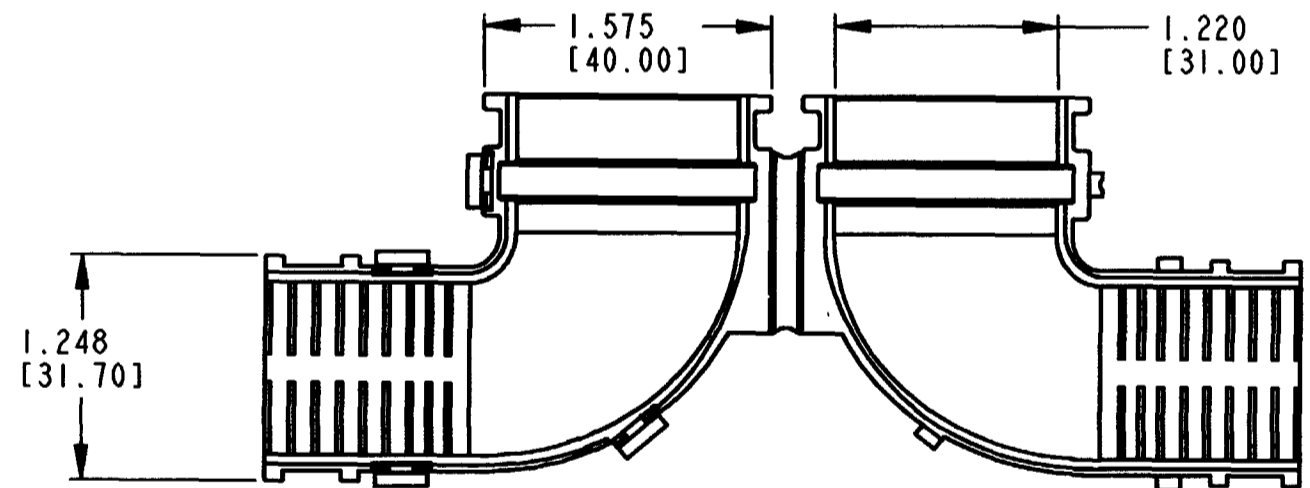
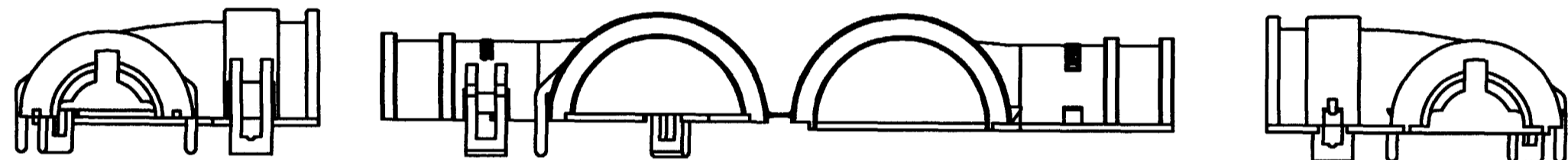
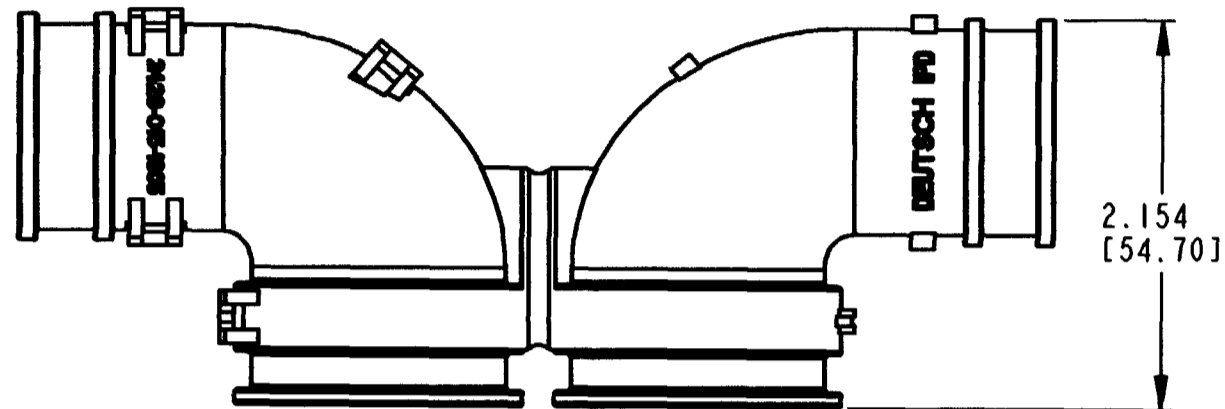
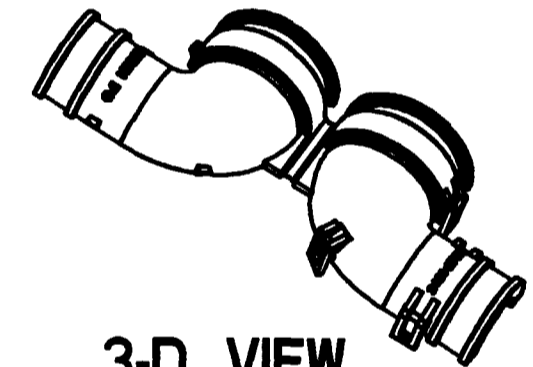


REV
A 2428-015-1805

REVISIONS			
SYM	DESCRIPTION	DATE	APPROVED
NC	NEW RELEASE PER E.O. P18688	12/11/07	R.D.R.
A	REVISED PER E.O. P20010	10-1-08	RDR



3-D VIEW
CLOSED



3-D VIEW
OPEN

- 5. MATERIAL: PLASTIC; COLOR: BLACK
- 4. THIS PART IS MANUFACTURED BY DI-EU, GERMANY.
- 3. THIS PART ACCOMMODATES CORRUGATED TUBES SIZES NW 13, 17, AND 19.
- 2. THIS PART MATES WITH HDP24/26-18-#P/S*-L017.

NOTES: 1. ALL DIMENSIONS ARE INCHES [MILLIMETERS] AND ARE ±.025[.63] UNLESS OTHERWISE SPECIFIED.

SIGNATURE & DATE	
DR	R. MESSENGER 10/20/04
CHK	<i>Jamie C. [Signature]</i> 9/30/08
PE	<i>[Signature]</i> 9/30/08
APPD	<i>R. Road</i> 10-1-08
SCALE	NONE WT

RIGHT ANGLE BACK SHELL
18 SIZE
NW 13, 17, 19 TUBES
HDP SERIES

ENVELOPE

EP	MATL. CODE
3850 INDUSTRIAL AVE. HEMET, CA 92545	
B	2428-015-1805
DWG SIZE	CODE 11139 SHEET 1 OF 1