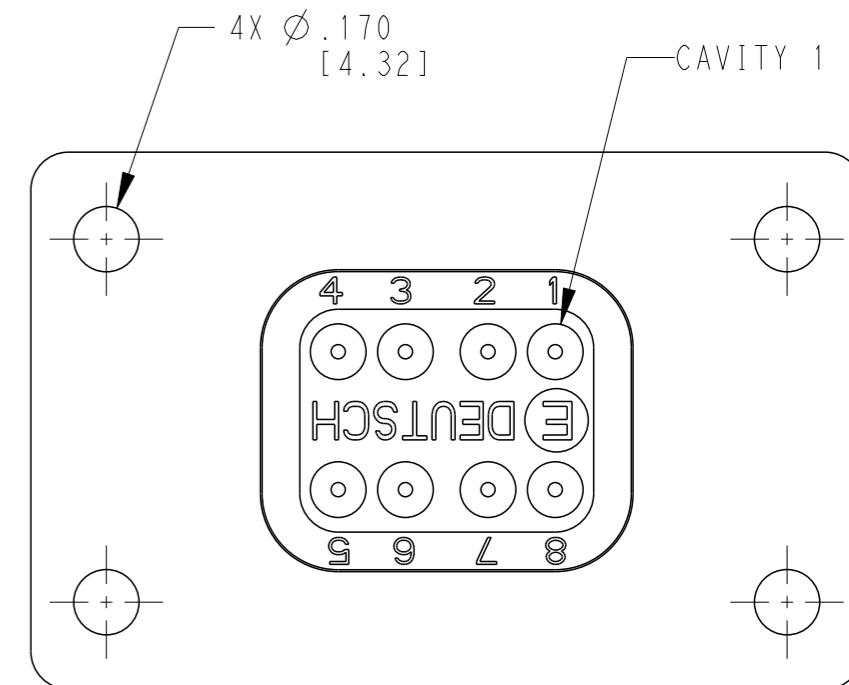
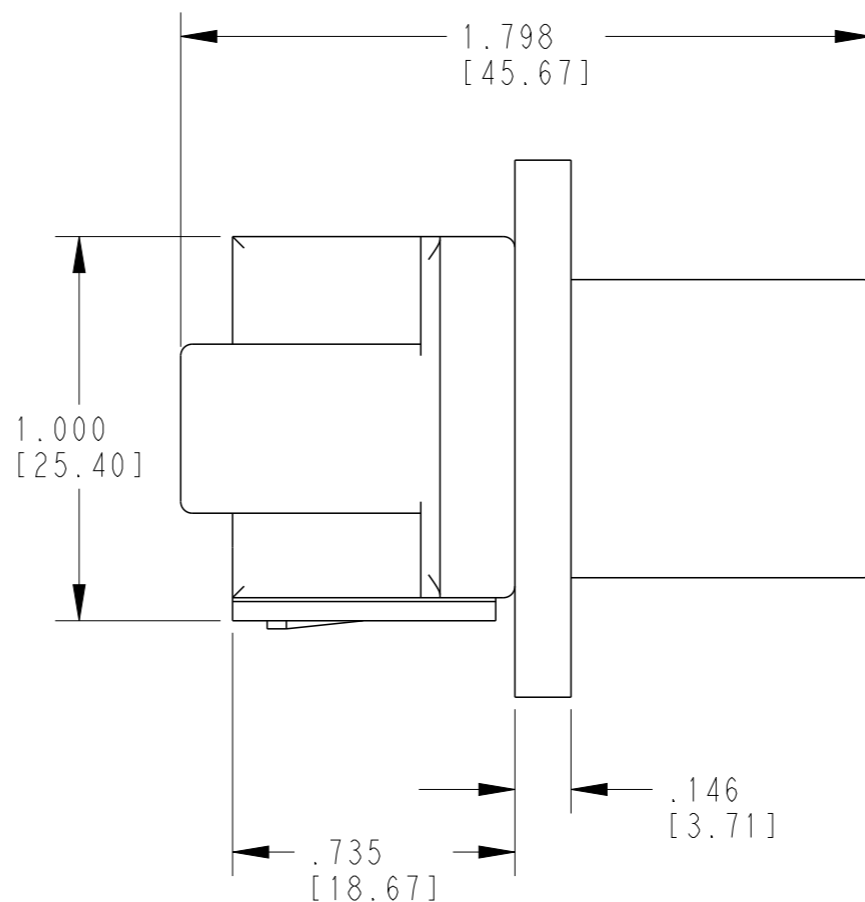
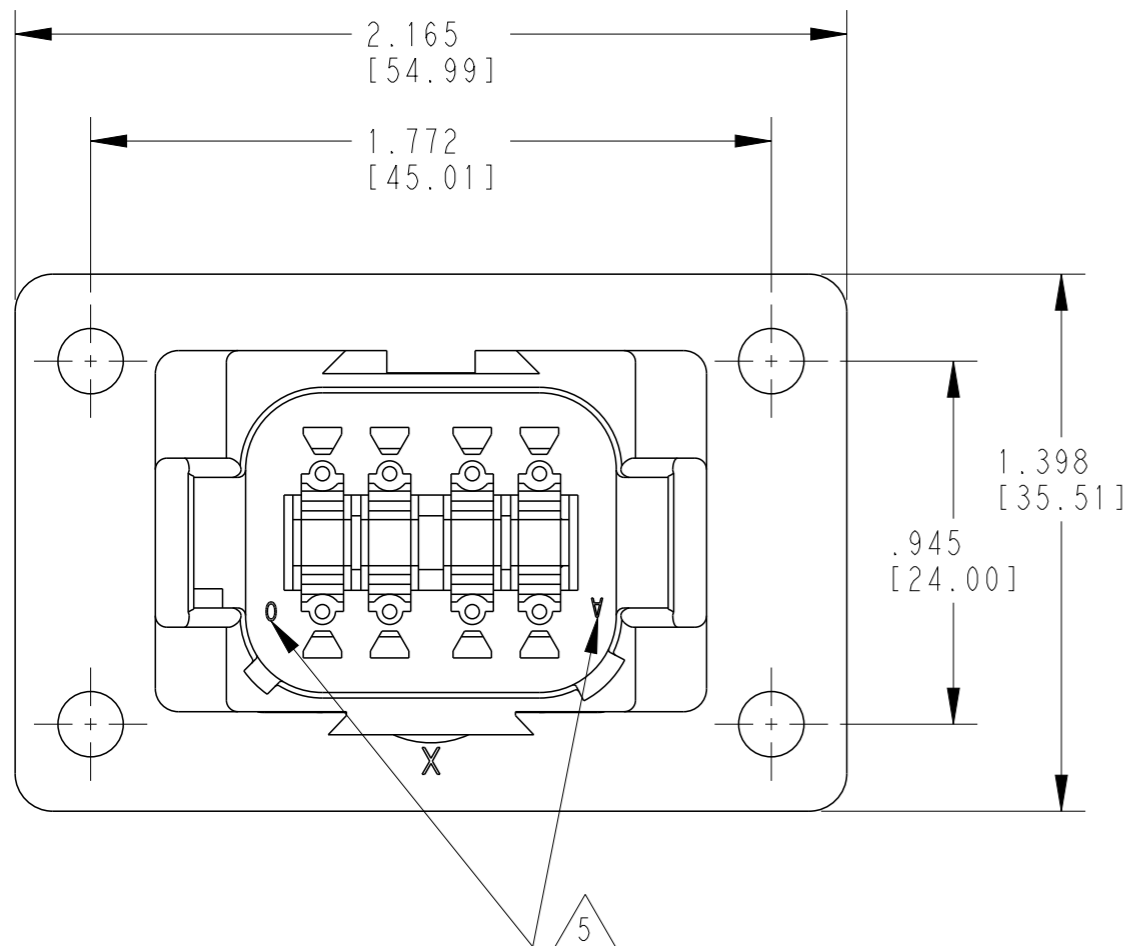


| REVISIONS | | | | | |
|-----------|-----|-----------------|-----------|-----|------|
| P | LTR | DESCRIPTION | DATE | DWN | APVD |
| | A | INITIAL RELEASE | 08AUG2015 | MGM | DM |
| | | | | | |
| | | | | | |



5 DATE CODE: MONTH IS REPRESENTED BY SEQUENTIAL ALPHA CHARACTERS EX: A =JANUARY; YEAR IS REPRESENTED BY LAST NUMERICAL DIGIT EX: 0=2010

4 MATERIAL: RECEPTACLE HOUSING & FLANGE: PA66 GF15 (BLACK)
GROMMET: SILICONE (ORANGE-RED)

3. THIS RECEPTACLE MATES WITH DT06-08SA-XXXX PLUG (XXXX = ALL MODIFICATIONS)

2. SECONDARY WEDGE LOCK SOLD SEPARATELY: W8P-XXXX. (XXXX = ALL MODIFICATIONS)

1 DIMENSION TOLERANCE: ±.025 [.64], EXCEPT FOR PANEL CUTOUT: ±.010 [.25]. SEE SHEET 2.

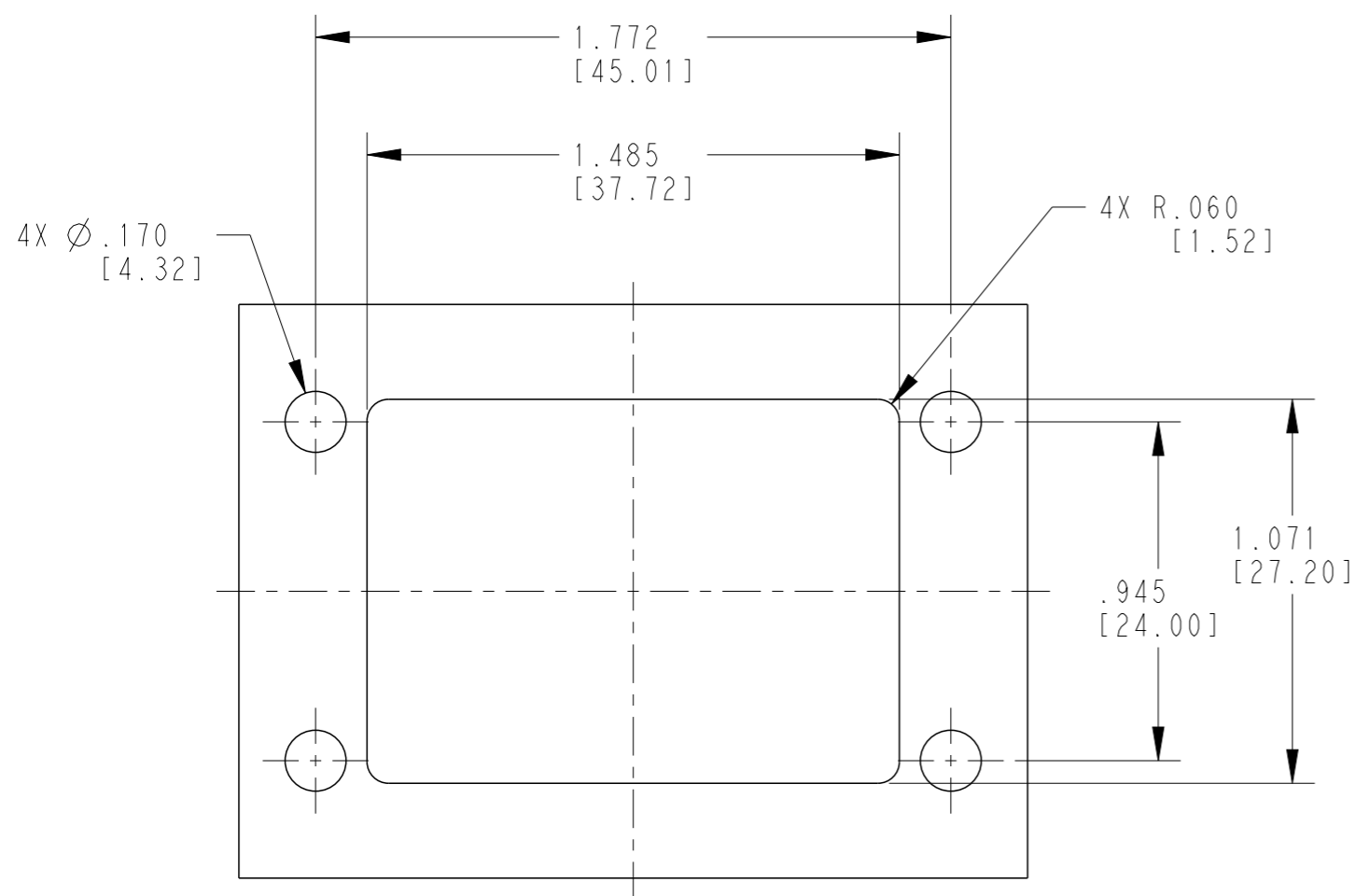
NOTES:

| TCPN | | ALIAS PART NUMBER | |
|----------------|-----------------|-------------------|-------------------------------|
| DT04-08PA-CL06 | | DT04-08PA-CL06 | |
| CONTACT SIZE | MIN. INSUL. O.D | MAX INSUL. O.D | WIRE RANGE [mm ²] |
| 16 | .053 [1.35] | .120 [3.05] | 14-20 AWG [2.0-0.5] |

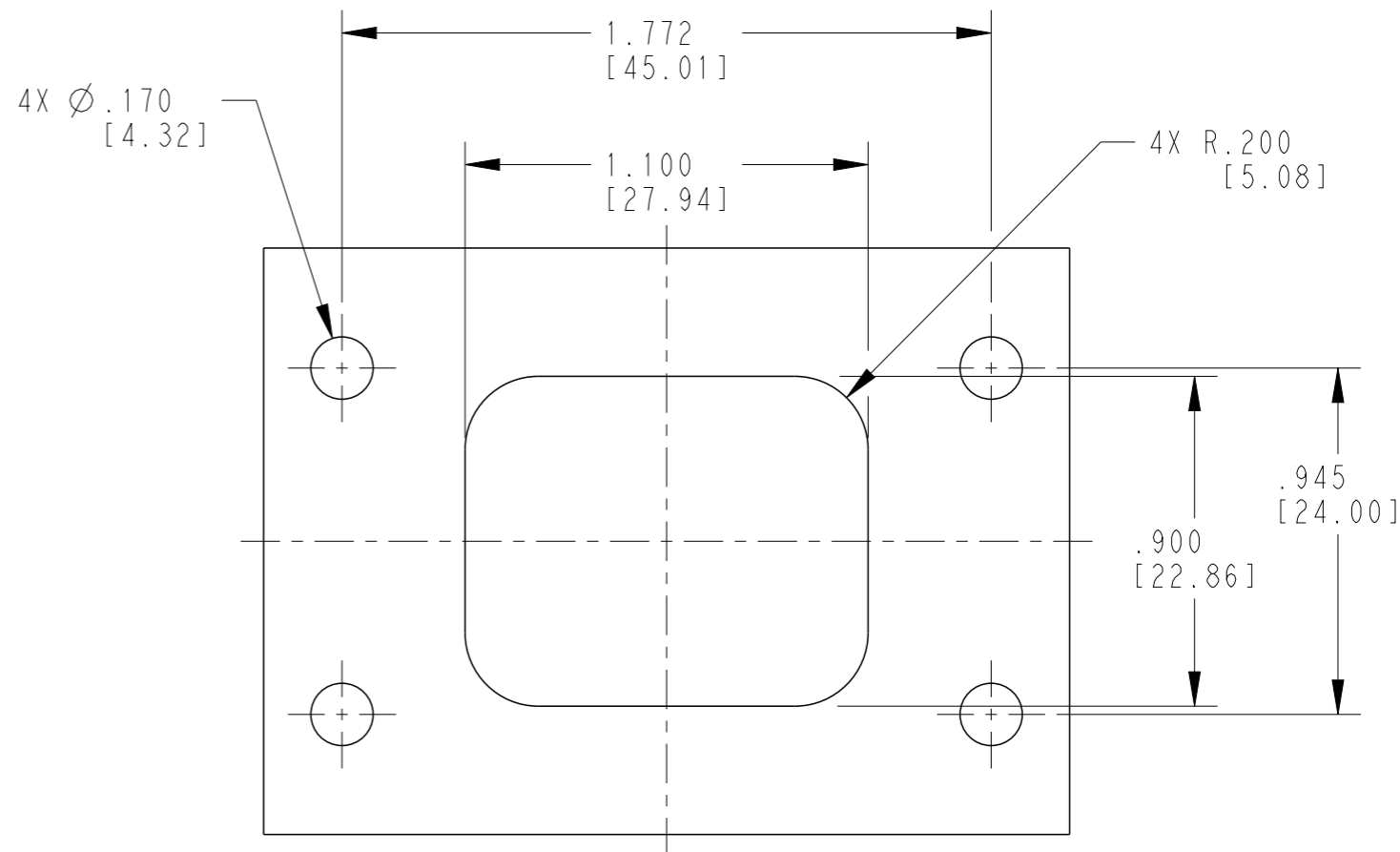
| | | | | | | | | | | | | | | | | | | | | | | |
|-------------------------------------------------------------------------------------------------------------------------------------------------------------------------------------------------------------------------------------------------------------------------------------------------------------------------------------|---|-----------------------------------|-------------------------------------------------|------------------------------|-------|---|-------|---|-------|---|-------|---|--|--------|---|--|--------|---|--|----------------------------|------------|--|
| THIS DRAWING IS A CONTROLLED DOCUMENT. | | DWN MANJUNATH GM 06AUG2015 | TE Connectivity | | | | | | | | | | | | | | | | | | | |
| DIMENSIONS: INCHES [mm] | | CHK D. MEYER 06AUG2015 | | | | | | | | | | | | | | | | | | | | |
| TOLERANCES UNLESS OTHERWISE SPECIFIED: | | APVD D. MEYER 06AUG2015 | NAME RECEPTACLE, 8PIN -CL06 MOD DT SERIES | | | | | | | | | | | | | | | | | | | |
| <table border="0"> <tr> <td>0 PLC</td><td>±</td><td rowspan="4">1</td></tr> <tr> <td>1 PLC</td><td>±</td></tr> <tr> <td>2 PLC</td><td>±</td></tr> <tr> <td>3 PLC</td><td>±</td></tr> <tr> <td>4 PLC</td><td>±</td><td></td></tr> <tr> <td>ANGLES</td><td>±</td><td></td></tr> <tr> <td>FINISH</td><td>-</td><td></td></tr> </table> | | 0 PLC | ± | 1 | 1 PLC | ± | 2 PLC | ± | 3 PLC | ± | 4 PLC | ± | | ANGLES | ± | | FINISH | - | | PRODUCT SPEC 108-151009 | SIZE A3 | |
| 0 PLC | ± | 1 | | | | | | | | | | | | | | | | | | | | |
| 1 PLC | ± | | | | | | | | | | | | | | | | | | | | | |
| 2 PLC | ± | | | | | | | | | | | | | | | | | | | | | |
| 3 PLC | ± | | | | | | | | | | | | | | | | | | | | | |
| 4 PLC | ± | | | | | | | | | | | | | | | | | | | | | |
| ANGLES | ± | | | | | | | | | | | | | | | | | | | | | |
| FINISH | - | | | | | | | | | | | | | | | | | | | | | |
| MATERIAL | | APPLICATION SPEC 0425-017-0000 | CAGE CODE 4AFU8 | DRAWING NO DT04-08PA-CL06 | | | | | | | | | | | | | | | | | | |
| 4 | | WEIGHT - | RESTRICTED TO - | | | | | | | | | | | | | | | | | | | |
| CUSTOMER DRAWING | | | SCALE 2:1 | SHEET 1 OF 2 | | | | | | | | | | | | | | | | | | |
| | | | REV A | | | | | | | | | | | | | | | | | | | |

REVISIONS

| P | LTR | DESCRIPTION | DATE | DWN | APVD |
|---|-----|-------------|------|-----|------|
| - | - | SEE SHEET 1 | - | - | - |
| | | | | | |
| | | | | | |

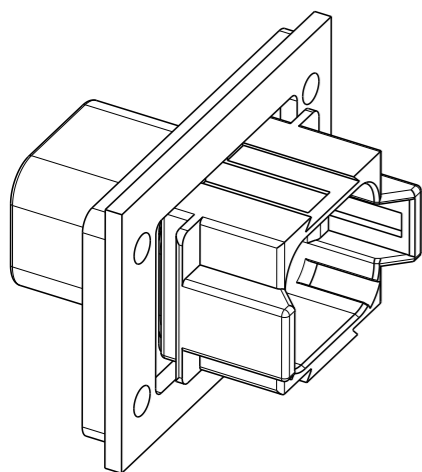


RECOMENDED PANEL CUTOUT FRONT

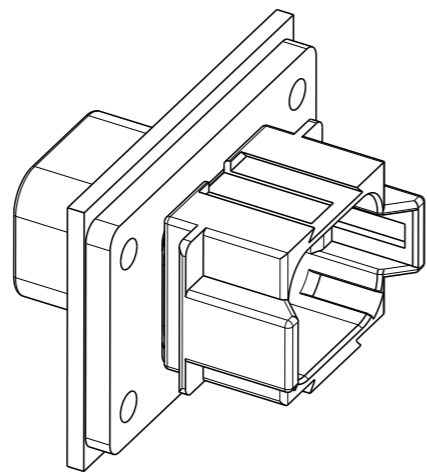


RECOMENDED PANEL CUTOUT REAR

FOR REFERENCE ONLY



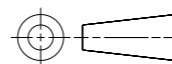
FRONT MOUNT



REAR MOUNT

THIS DRAWING IS A CONTROLLED DOCUMENT.

DIMENSIONS:
INCHES [mm]



TOLERANCES UNLESS OTHERWISE SPECIFIED:

- 0 PLC ±
- 1 PLC ±
- 2 PLC ±
- 3 PLC ±
- 4 PLC ±
- ANGLES ±
- FINISH -

MATERIAL

| | |
|------------------|---------------|
| DWN | 06AUG2015 |
| MANJUNATH GM | |
| CHK | 06AUG2015 |
| D.MEYER | |
| APVD | 06AUG2015 |
| D.MEYER | |
| PRODUCT SPEC | 108-151009 |
| APPLICATION SPEC | 0425-017-0000 |
| WEIGHT | - |

| | | | | |
|------------------|-----------|--------------------------------------|--------|---------------|
| | | NAME | | RESTRICTED TO |
| | | RECEPTACLE, 8PIN -CL06 MOD DT SERIES | | |
| SIZE | CAGE CODE | DRAWING NO | - | |
| A3 | 4AFU8 | DT04-08PA-CL06 | - | |
| CUSTOMER DRAWING | | SCALE | SHEET | REV |
| | | 2:1 | 2 OF 2 | A |