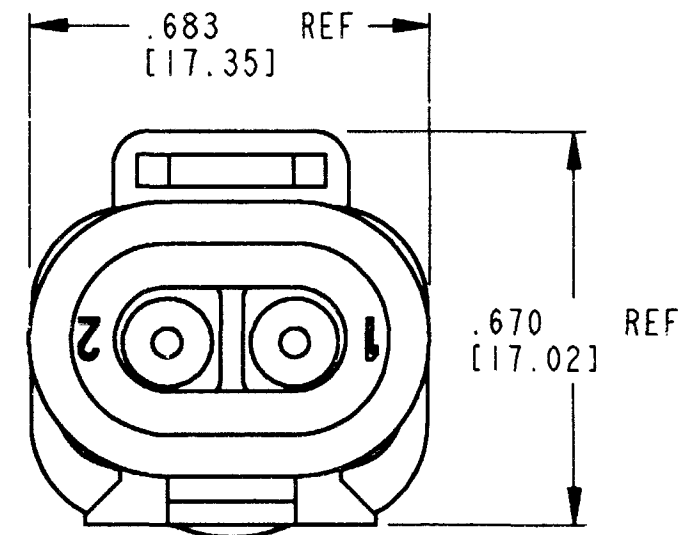
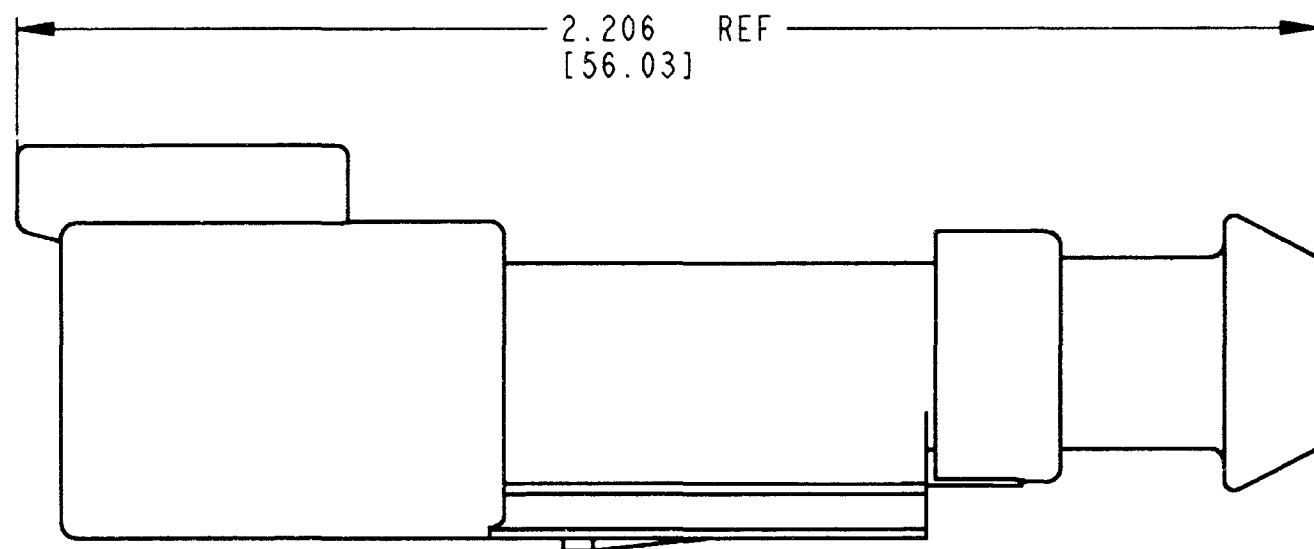


REV
NC DT04-2P-E008

REVISIONS			
SYM	DESCRIPTION	DATE	APPROVED
NC	NEW RELEASE PER E.O. A14881	8-18-85	RDR



NOTES:
 1. ALL DIMENSIONS ARE FOR REFERENCE ONLY.
 2. ALL DIMENSIONS ARE INCHES (METRIC).

SIGNATURE & DATE		2 WAY RECEPTACLE -E008 MOD. DT SERIES	CP	MATL. CODE
DR	C. WOODRUFF 04AUG95		The Deutch Company DEUTSCH I.P.D. 37140 INDUSTRIAL AVE. HEMET, CALIF. 92545	
CHK	<i>[Signature]</i>		B DT04-2P-E008 <small>DWG SIZE</small> 11139 <small>SHEET</small> 1 OF 1	
PE	<i>[Signature]</i>			
APPD	<i>[Signature]</i> 8-18-85			
SCALE	NONE	WT		

ENVELOPE

OBSELETE
 NOT the LATEST
 REVISION