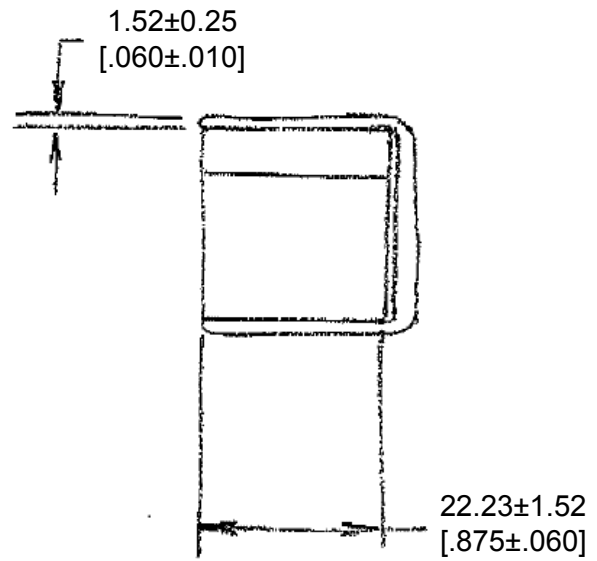
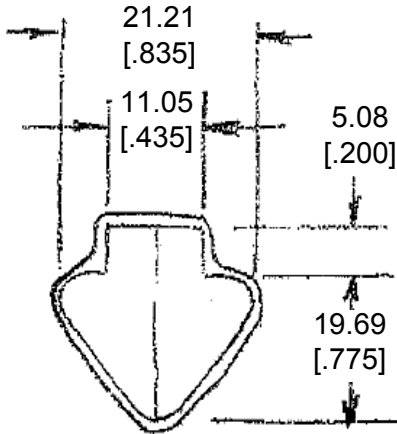


REVISIONS					
P	LTR	DESCRIPTION	DATE	DWN	APVD
	A	NEW RELEASE PER ECO-14-008759	06-10-14	DM	DM



2014

RELEASED FOR PUBLICATION

THIS DRAWING IS UNPUBLISHED.

ALL RIGHTS RESERVED.

© COPYRIGHT 2014 BY TE CONNECTIVITY

- 3. PART NO. DT3P-DC
- 2. TEMPERATURE RATING: -29°C TO +100°C [-20°F TO +212°F]
- 1. THIS PART IS USED ON DT04-3P WITH ANY MODIFICATION

DIMENSIONS: MM [INCH]	DWN	D. MEYER 10JUN2014	MATERIAL	PVC	FINISH	GRAY
	CHK	R. MESSENGER 10JUN2014				
TOLERANCES UNLESS OTHERWISE SPECIFIED:	APVD	D. MEYER 10JUN2014				
0 PLC ± 1 PLC ± 2 PLC ± 0.63 [.025] 3 PLC ± 4 PLC ± ANGLES ± 5°	PRODUCT SPEC	NAME DUST CAP, RECEPTACLE, 3PIN DT SERIES				
	APPLICATION SPEC	SIZE	CAGE CODE	DRAWING NO	RESTRICTED TO	
	WEIGHT	5.00 g	A 4	4AFU8	C = DT3P-DC	-
	Customer Drawing			SCALE	NONE	SHEET