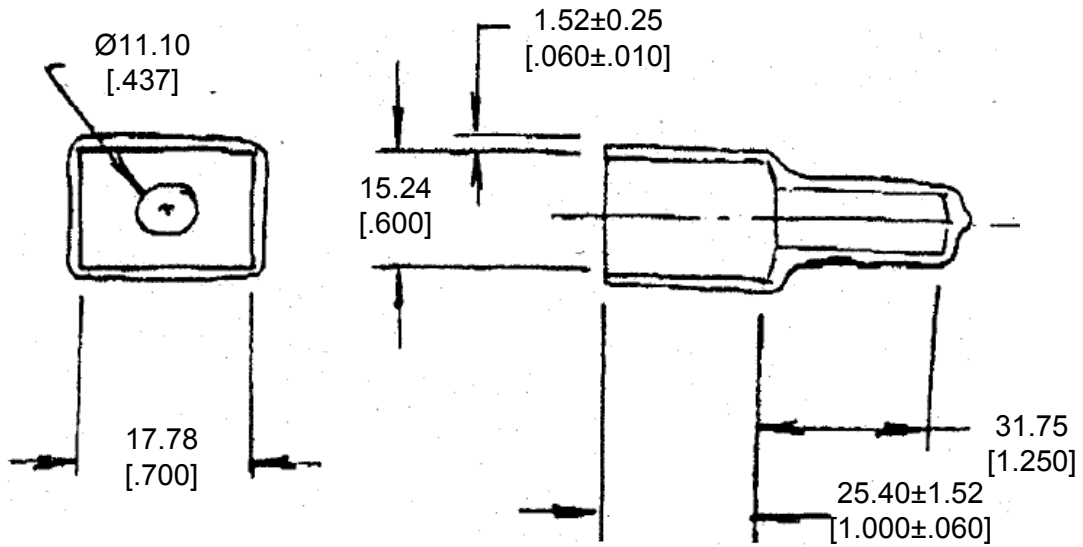


REVISIONS				
P	LTR	DESCRIPTION	DATE	APVD
A		NEW RELEASE PER ECO-14-008761	06-10-14	DM DM



2014

RELEASED FOR PUBLICATION

THIS DRAWING IS UNPUBLISHED.

ALL RIGHTS RESERVED.

© COPYRIGHT 2014 BY TE CONNECTIVITY

3. PART NO. DT4P-BT-BK
2. TEMPERATURE RATING: -29°C TO +100°C [-20°F TO +212°F]
1. THIS PART IS USED ON DT04-4P RECEPTACLES WITH ANY MODIFICATION THAT DOES NOT INCLUDE AN END CAP.

DIMENSIONS: <b>MM [INCH]</b>	DWN	D. MEYER 10JUN2014	MATERIAL	PVC	FINISH	BLACK
	CHK	R. MESSENGER 10JUN2014				
TOLERANCES UNLESS OTHERWISE SPECIFIED:	APVD	D. MEYER 10JUN2014				
0 PLC ±	PRODUCT SPEC	NAME				BOOT, RECEPTACLE, 4PIN DT SERIES
1 PLC ±	APPLICATION SPEC	SIZE	CAGE CODE	DRAWING NO	RESTRICTED TO	
2 PLC ± 0.63 [0.025]	WEIGHT	A 4	4AFU8	C - DT4P-BT-BK	-	
3 PLC ±	Customer Drawing	SCALE		NONE	SHEET	1 OF 1
4 PLC ±		REV		A		
ANGLES ± 5°						

