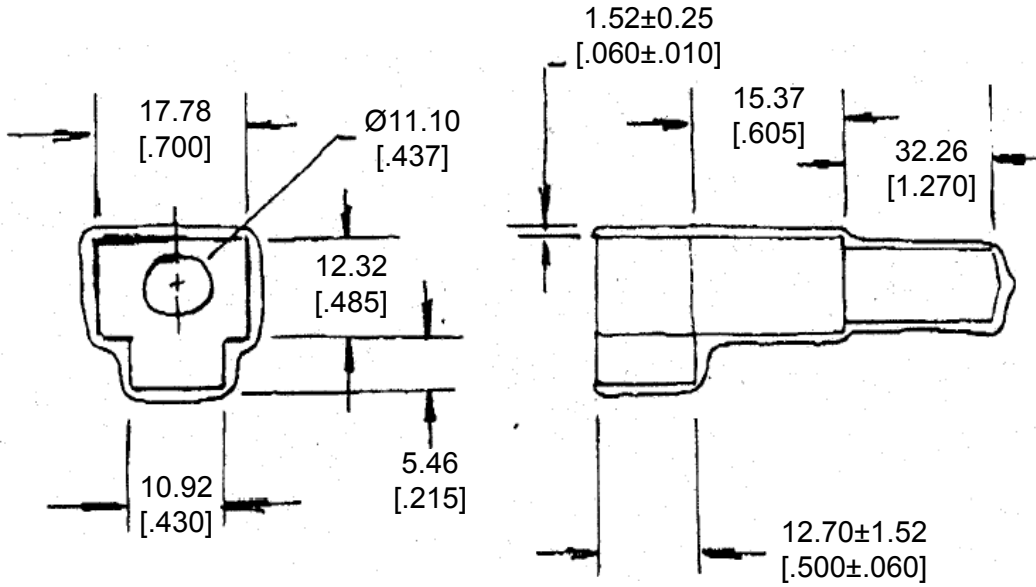


REVISIONS					
P	LTR	DESCRIPTION	DATE	DWN	APVD
A		NEW RELEASE PER ECO-14-008761	06-10-14	DM	DM



2014

RELEASED FOR PUBLICATION

THIS DRAWING IS UNPUBLISHED.

ALL RIGHTS RESERVED.

© COPYRIGHT 2014 BY TE CONNECTIVITY

3. PART NO. DT4S-BT-BK
2. TEMPERATURE RATING: -29°C TO +100°C [-20°F TO +212°F]
1. THIS PART IS USED ON DT06-4S PLUG WITH ANY MODIFICATION THAT DOES NOT INCLUDE AN END CAP.

DIMENSIONS: MM [INCH]	DWN	D. MEYER 10JUN2014	MATERIAL	PVC	FINISH	BLACK
	CHK	R. MESSENGER 10JUN2014				
TOLERANCES UNLESS OTHERWISE SPECIFIED:	APVD	D. MEYER 10JUN2014				
0 PLC ± 1 PLC ± 2 PLC ± 0.63 [.025] 3 PLC ± 4 PLC ± ANGLES ± 5°	PRODUCT SPEC	NAME BOOT, PLUG, 4PIN DT SERIES				
	APPLICATION SPEC	SIZE	CAGE CODE	DRAWING NO	RESTRICTED TO	
	WEIGHT	7.30 g	A 4	4AFU8	© DT4S-BT-BK	-
	Customer Drawing				SCALE	NONE