

2014

RELEASED FOR PUBLICATION

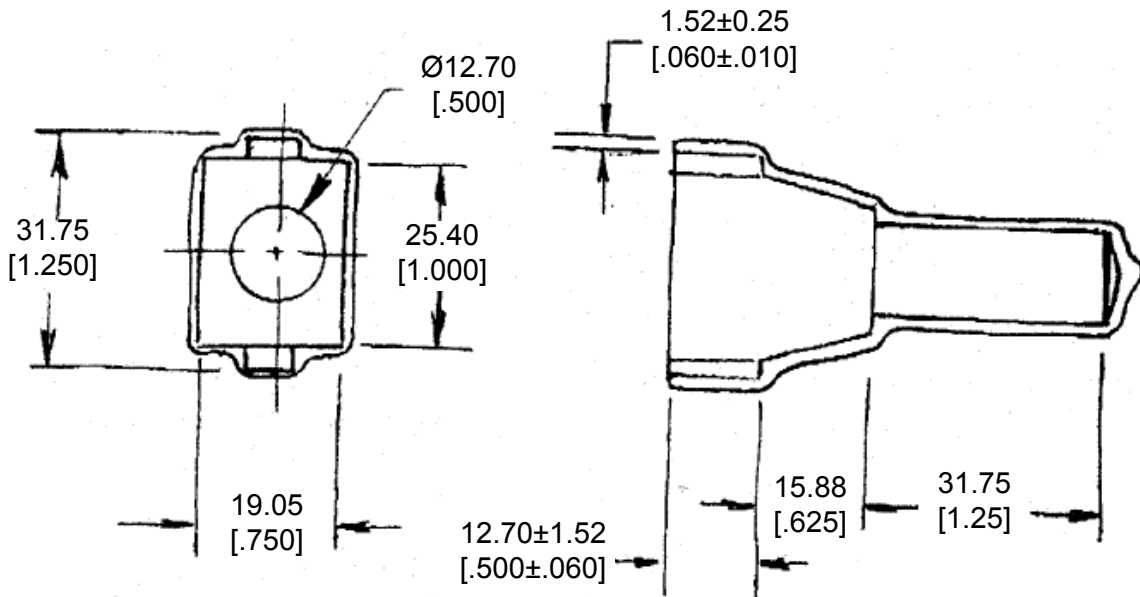
THIS DRAWING IS UNPUBLISHED.

ALL RIGHTS RESERVED.

© COPYRIGHT 2014 BY TE CONNECTIVITY

REVISIONS

P	LTR	DESCRIPTION	DATE	DWN	APVD
	A	NEW RELEASE PER ECO-14-008763	06-20-14	DM	DM



3. PART NO. DT8S-BT

2. TEMPERATURE RATING: -29°C TO +100°C [-20°F TO +212°F]

1. THIS PART IS USED ON DT06-08SX (X=A,B,C,D KEYS) PLUG WITH ANY MODIFICATION THAT DOES NOT INCLUDE AN END CAP.

DIMENSIONS: MM [INCH]	DWN	D. MEYER 20JUN2014	MATERIAL	PVC	FINISH	GRAY
	CHK	R. MESSENGER 20JUN2014				
TOLERANCES UNLESS OTHERWISE SPECIFIED:	APVD	D. MEYER 20JUN2014				
0 PLC ±	PRODUCT SPEC	NAME	BOOT, PLUG, 8PIN DT SERIES			
1 PLC ±	APPLICATION SPEC	SIZE	CAGE CODE	DRAWING NO	RESTRICTED TO	
2 PLC ± 0.63 [.025]	WEIGHT	A 4	4AFU8	© DT8S-BT	-	
3 PLC ±	Customer Drawing	SCALE	NONE	SHEET	1 OF 1	REV
4 PLC ±						A
ANGLES ± 5°						

