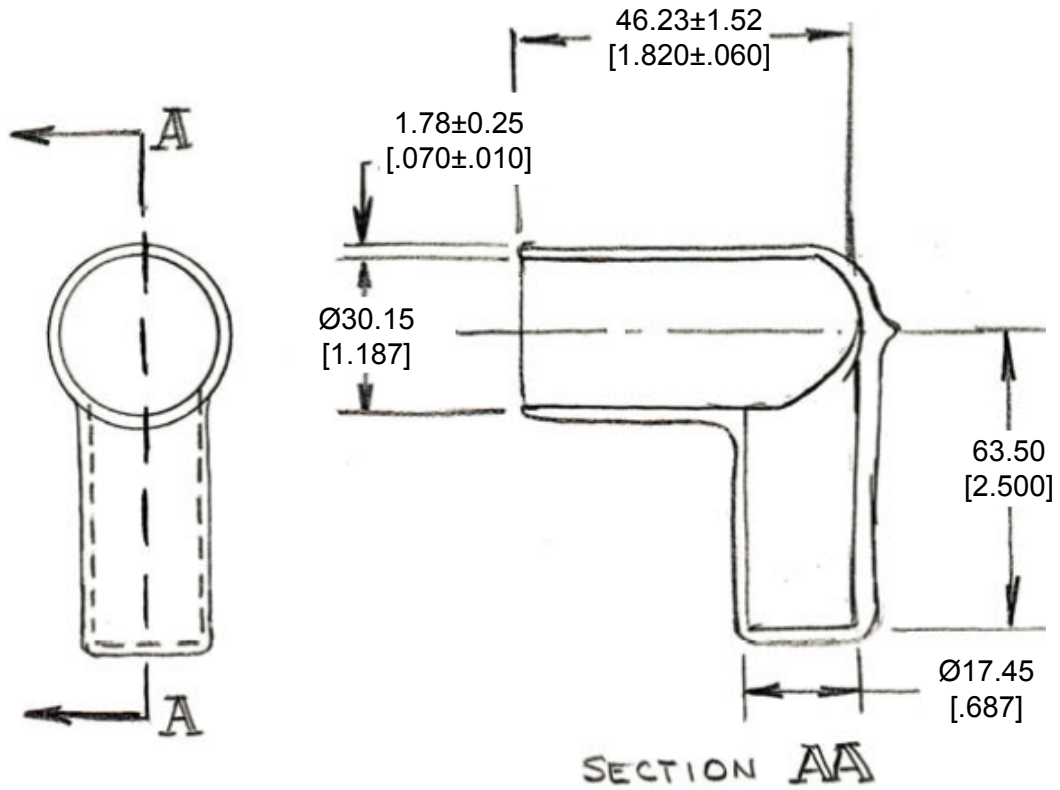


REVISIONS				
P	LTR	DESCRIPTION	DATE	APVD
A		NEW RELEASE PER ECO-14-013276	08-27-14	DM DM



3. PART NO. HD30-18BT-90-BK
2. TEMPERATURE RATING: -29°C TO +100°C [-20°F TO +212°F]
1. THIS PART IS USED ON  
 HDP24-18-XXX RECEPTACLES  
 HDP26-18-XXX PLUGS  
 HD34-18-XXX RECEPTACLES  
 HD36-18-XXX PLUGS  
 WHERE XXX IS PIN ARRANGEMENTS. SEE INVIDUAL CUSTOMER DRAWINGS


2014

RELEASED FOR PUBLICATION

ALL RIGHTS RESERVED.

© COPYRIGHT 2014 BY TE CONNECTIVITY

THIS DRAWING IS UNPUBLISHED.

DIMENSIONS: <b>MM [INCH]</b>	DWN	D. MEYER 27AUG2014	MATERIAL	PVC	FINISH	BLACK	
	CHK	I. GRANTCHAROVA 27AUG2014	 TE Connectivity				
TOLERANCES UNLESS OTHERWISE SPECIFIED:	APVD	D. MEYER 27AUG2014					
0 PLC ±	PRODUCT SPEC	NAME	BOOT, 90DEG, SIZE 18 HD30/HDP20 SERIES				
1 PLC ±	APPLICATION SPEC	SIZE	A 4	CAGE CODE	4AFU8	DRAWING NO	RESTRICTED TO
2 PLC ± 0.63 [.025]	WEIGHT	24.00 g		C = HD30-18BT-90-BK		-	
3 PLC ±	Customer Drawing		SCALE	NONE	SHEET	1 OF 1	REV
4 PLC ±							A
ANGLES ± 5°							

