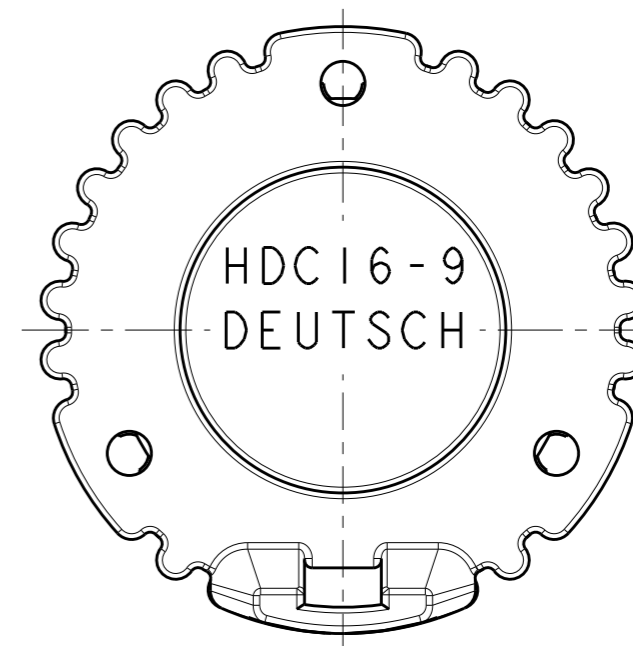
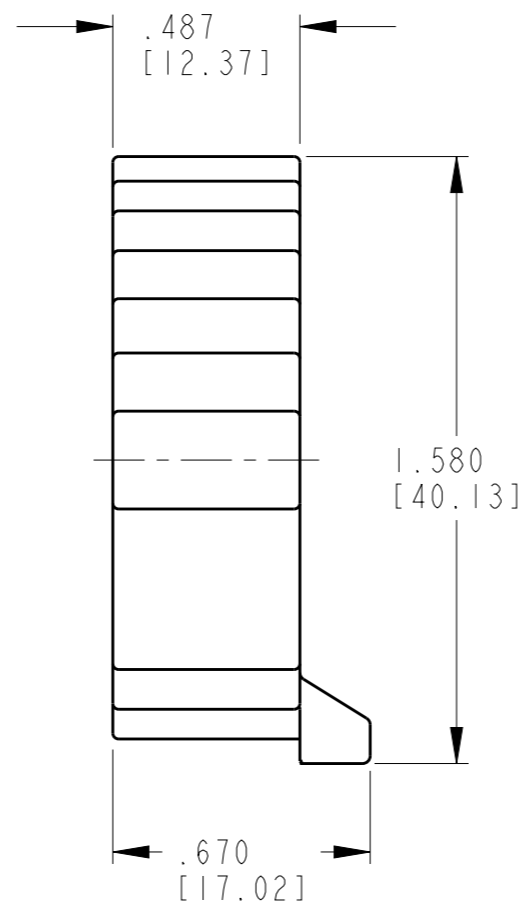
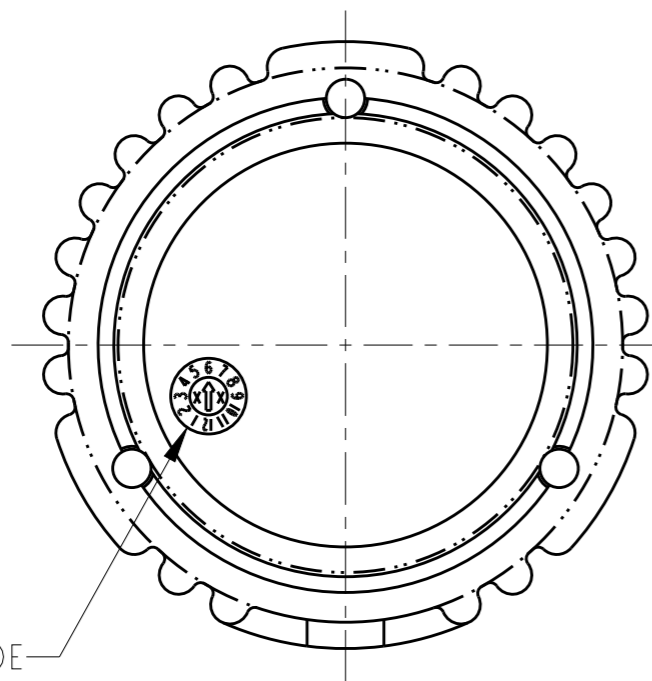
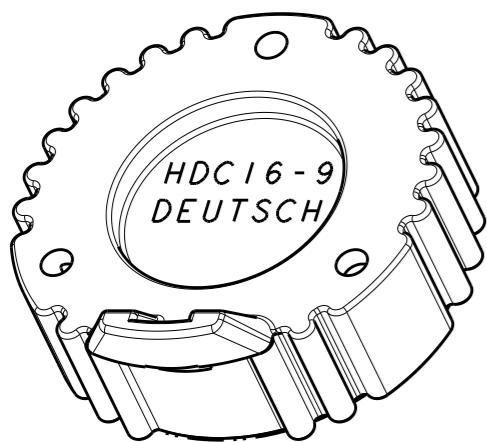


THIS DRAWING IS UNPUBLISHED  
 RELEASED FOR PUBLICATION 2016  
 © COPYRIGHT 1992 BY TE CONNECTIVITY ALL RIGHTS RESERVED.

LOC	DIST	REVISIONS			
P	LTR	DESCRIPTION	DATE	DWN	APVD
	E	REVISED PER E.O. P20888	7JUL2011	IG	RDR
	E1	REVISED PER ECO-14-008033	28MAY2014	JA	DM
	F	REVISED PER ECO-16-001565	03FEB2016	JA	DM
	F1	REVISED PER PCN :E-18-003633	08MAR2018	DD	DM



TE INTERNAL PN	DEUTSCH PN
HDC16-9	HDC16-9

2 HOUSING: PA66 GF10 (GRAY); O-RING: VMQ (RED)

1. THIS PART MATES WITH ALL SIZE 9, HD10 SERIES RECEPTACLE.

NOTES:

THIS DRAWING IS A CONTROLLED DOCUMENT.

DIMENSIONS: INCHES [mm]	TOLERANCES UNLESS OTHERWISE SPECIFIED:
	0 PLC ±
	1 PLC ±
	2 PLC ±
	3 PLC ±.025 [0.64]
	4 PLC ±
	ANGLES ±0°30'0"

MATERIAL	FINISH
2	

DWN	29APR1992
CHK	JOHN NORRIS
APVD	JOHN NORRIS
	JEFF ALBERS
PRODUCT SPEC	
APPLICATION SPEC	
WEIGHT	9.43g
Customer Drawing	

TE Connectivity		NAME	
		PROTECTIVE COVER FOR SIZE 9 RECEPTACLE HD10 SERIES	
SIZE	CAGE CODE	DRAWING NO	RESTRICTED TO
A3	4AFU8	©HDC16-9	-
SCALE 2:1		SHEET 1 OF 1	REV F1